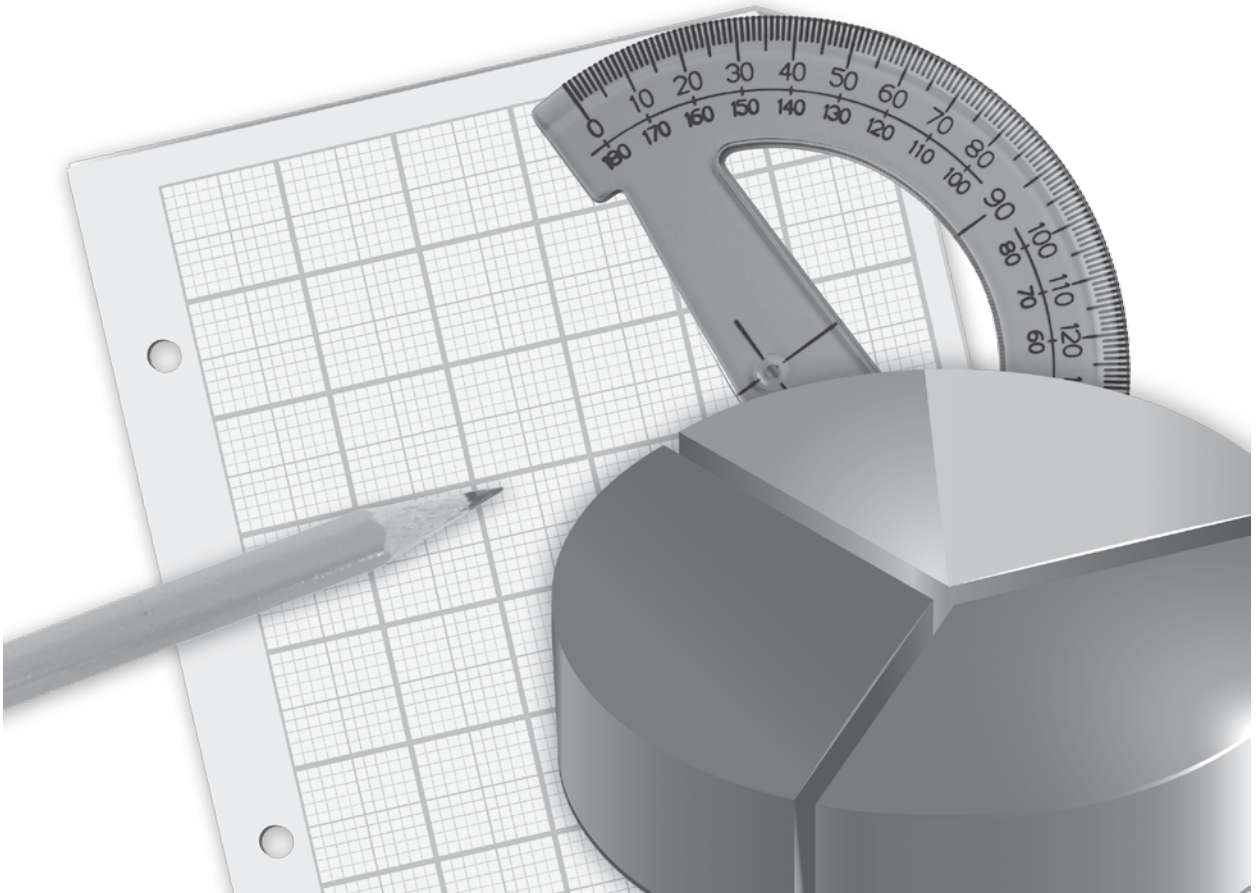


PRACTICE - ASSESS - DIAGNOSE

180 Days of MATH

for Fifth Grade



Developed by
Jodene Smith

TABLE OF CONTENTS

Introduction and Research	3
How to Use This Book	4
Daily Practice Pages	11
Answer Key.	191
References Cited	207
Contents of the Teacher Resource CD.	208

INTRODUCTION AND RESEARCH

The Need for Practice

In order to be successful in today’s mathematics classroom, students must deeply understand both concepts and procedures so that they can discuss and demonstrate their understanding. Demonstrating understanding is a process that must be continually practiced in order for students to be successful. According to Marzano (2010, 83), “practice has always been, and will always be, a necessary ingredient to learning procedural knowledge at a level at which students execute it independently.” Practice is especially important to help students apply their concrete, conceptual understanding to a particular procedural skill.

Understanding Assessment

In addition to providing opportunities for frequent practice, teachers must be able to assess students’ understanding of mathematical procedures, terms, concepts, and reasoning (Kilpatrick, Swafford, and Findell 2001). This is important so that teachers can adequately address students’ misconceptions, build on their current understanding, and challenge them appropriately.

Assessment is a long-term process that often involves careful analysis of student responses from a lesson discussion, project, practice sheet, or test. When analyzing the data, it is important for teachers to reflect on how their teaching practices may have influenced students’ responses and to identify those areas where additional instruction may be required. In short, the data gathered from assessments should be used to inform instruction: slow down, speed up, or reteach. This type of assessment is called *formative assessment* and is used to provide a seamless connection between instruction and assessment (McIntosh 1997).

HOW TO USE THIS BOOK

180 Days of Math for Fifth Grade offers teachers and parents a full page of daily mathematics practice activities for each day of the school year.

Easy to Use and Standards-Based

These activities reinforce grade-level skills across a variety of mathematical concepts. The questions are provided as a full practice page, making them easy to prepare and implement as part of a classroom morning routine, at the beginning of each mathematics lesson, or as homework.

Every fifth-grade practice page provides 12 questions, each tied to a specific mathematical concept. Students are given the opportunity for regular practice in each mathematical concept, allowing them to build confidence through these quick standards-based activities.

Question	Mathematics Concept	NCTM Standards
1	Addition or Subtraction	Understands meanings of operations and how they relate to one another; Computes fluently and makes reasonable estimates
2	Multiplication	
3	Division	
4	Place Value or Number Sense	Understands numbers, ways of representing numbers, relationships among numbers, and number systems; Understands place-value structure of the base-ten number system
5	Fractions, Decimals, and Percents	Recognizes and generates equivalent forms of fractions, decimals, and percents
6	Order of Operations and Patterns	Understands the meanings of operations and how they relate to one another; represent and analyze patterns and functions
7	Algebra	Understands patterns, relations, and functions; Represents and analyzes mathematical situations and structures using algebraic symbols
8	Measurement	Understands measurable attributes of objects and the units, systems, and processes of measurement; Applies appropriate techniques and formulas to determine measurements
9	Geometry	Analyzes characteristics and properties of two- and three-dimensional geometric shapes; Uses visualization and spatial reasoning to solve problems
10	Data Analysis	Selects and uses appropriate statistical methods to analyze data
11	Probability	Understands and applies basic concepts of probability
12	Word Problem/Logic Problem or Mathematical Reasoning	Solves problems that arise in mathematics and in other contexts; Applies and adapts a variety of appropriate strategies to solve problems

Standards are listed with the permission of the National Council of Teachers of Mathematics (NCTM). NCTM does not endorse the content or validity of these alignments.

HOW TO USE THIS BOOK *(cont.)*

Using the Practice Pages

As outlined on page 4, every question is aligned to a mathematics concept and standard.

Practice pages provide instruction and assessment opportunities for each day of the school year.

Each question ties student practice to a specific mathematics concept.

DAY

14

NAME: _____

DIRECTIONS Solve each problem.

SCORE

1. (Y/N)

2. (Y/N)

3. (Y/N)

4. (Y/N)

5. (Y/N)

6. (Y/N)

7. (Y/N)

8. (Y/N)

9. (Y/N)

10. (Y/N)

11. (Y/N)

12. (Y/N)

____ / 12

Total

1. $\begin{array}{r} 58 \\ - 5 \\ \hline \end{array}$

2. $7 \times 8 = \underline{\hspace{2cm}}$

3. $7 \overline{)49}$

4. Round 19,652 to the nearest hundred.

5. Is $\frac{1}{2}$ greater than, less than, or equal to $\frac{1}{5}$?

6. $6 - (3 \times 2) = \underline{\hspace{2cm}}$

7. $\begin{array}{r} \square \\ - 42 \\ \hline 49 \end{array}$

8. Calculate the perimeter of a rectangle that is 6 cm by 3 cm.

9. How many faces are on a triangular prism?

10. What was the rainfall for May?

Month	Millimeters of Rain
Apr	35
May	25
Jun	60
Jul	40

11.
This is a spinner for a game board. Label the circle to show a 25% chance of black, 25% chance of red, 25% chance of orange, and 25% chance of green.

12. Sherman gets \$5.50 for allowance each week. How much allowance does he get in 4 weeks?

24

#50808—180 Days of Math for Fifth Grade

© Shell Education

Using the Scoring Guide

Use the scoring guide along the side of each practice page to check answers and see at a glance which skills may need more reinforcement.

Fill in the appropriate circle for each problem to indicate correct (Y) or incorrect (N) responses. You might wish to indicate only incorrect responses to focus on those skills. (For example, if students consistently miss numbers 2 and 6, they may need additional help with those concepts as outlined in the table on page 4.) Use the answer key at the back of the book to score the problems, or you may call out answers to have students self-score or peer-score their work.

NAME: _____

DIRECTIONS

Solve each problem.

SCORE

1. (Y) (N)

1. $53 - 4 = \underline{\hspace{2cm}}$

2. (Y) (N)

7.
$$\begin{array}{r} 64 \\ - \square \\ \hline 37 \end{array}$$

3. (Y) (N)

2.
$$\begin{array}{r} 20 \\ \times 3 \\ \hline \end{array}$$

8. _____ minutes = $1\frac{1}{2}$ hours

4. (Y) (N)

9. Does a square have any parallel lines?

5. (Y) (N)

3. $8 \overline{)72}$

10. A 6-sided die was rolled 9 times. What is the mode of these rolls?
4, 5, 1, 2, 4, 3, 6, 2, 4

6. (Y) (N)

4. Write the smallest numeral possible using the digits 7, 1, and 8.

_____11. You place the following shapes in a bag: 5 circles, 3 triangles, 7 squares, and 5 rectangles. If you reach in the bag, what is the probability you will grab a shape?

7. (Y) (N)

8. (Y) (N)

9. (Y) (N)

10. (Y) (N)

5. Is $\frac{2}{5}$ equal to $\frac{4}{10}$? _____

11. (Y) (N)

12. (Y) (N)

6. $(4 \cdot 5) - 15 = \underline{\hspace{2cm}}$

12. A pizza is cut into 12 pieces. Toma eats $\frac{1}{4}$ of the pizza. What percentage of the pizza did Toma eat?

____ / 12

Total

NAME: _____

DIRECTIONS Solve each problem.

1.
$$\begin{array}{r} 348 \\ + 109 \\ \hline \end{array}$$

2. $72 \cdot 58 = \underline{\hspace{2cm}}$

3. $23 \overline{)943}$

4. Is 5,259 less than 4,259?

5. 50% of \$68 is _____.

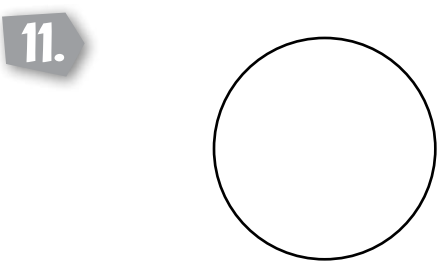
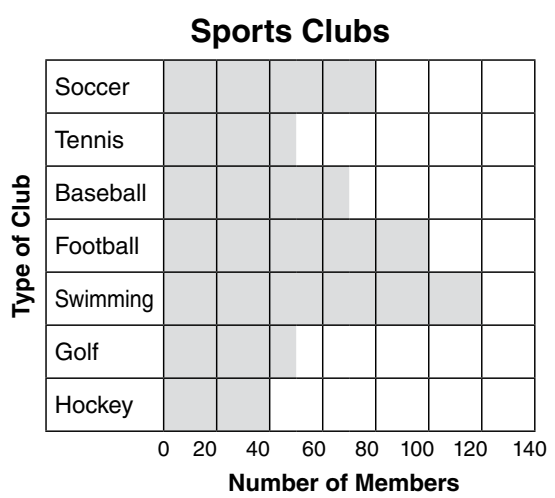
6. $60 \div 4 + 70 = \underline{\hspace{2cm}}$

7.
$$\begin{array}{r} 135 \\ - \square \\ \hline 68 \end{array}$$

8. 16 cups = _____ quarts

9. How many edges are on a rectangular prism?

10. Half of the soccer club are also members of the debate club. How many students are in the debate club?



12. 96 children are on the playground. $\frac{1}{4}$ of them are on the playground equipment. 24 of them are playing basketball. The rest are playing soccer. How many children are playing soccer?

SCORE

1. (Y) (N)

2. (Y) (N)

3. (Y) (N)

4. (Y) (N)

5. (Y) (N)

6. (Y) (N)

7. (Y) (N)

8. (Y) (N)

9. (Y) (N)

10. (Y) (N)

11. (Y) (N)

12. (Y) (N)

___ / 12

Total